



4000 ODU enclosure series [preliminary]

Outdoor Fiber Optic Enclosure

- *IP 64 Outdoor Enclosure Compatible with Sat-Light Indoor Modules*
- *Optional Tactical version (4004)*
- *Dual Power Supply Option*
- *Holds up to 4 optical transmitter/receiver Sat-Light Cards*
- *Optional Intelligent Redundancy RF Switch*
- *Optional LNB Powering*



Product Description

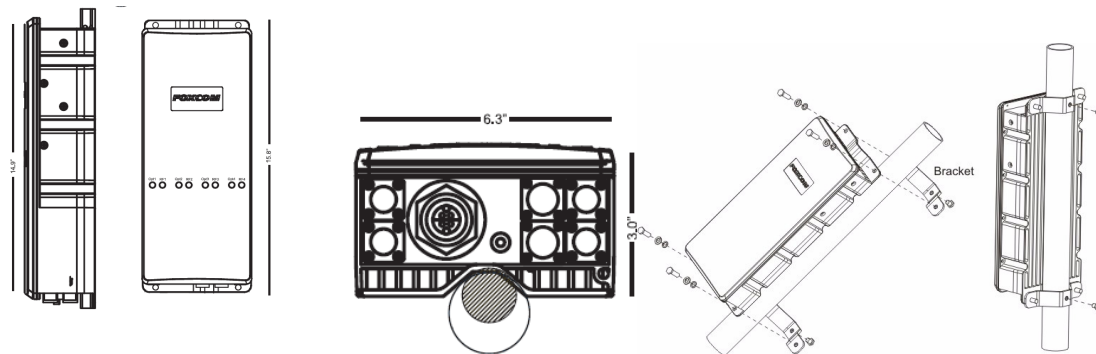
The Foxcom Series 4000 series Outdoor Unit (ODU) is an outdoor enclosure providing weatherproof protection for Foxcom Sat-Light Interfacility Links. Any Foxcom Interfacility Link component can be installed outdoors, even in extreme weather conditions, eliminating the need for environment-controlled shelters. The 4000 series ODU's can be populated with any combination of (up to) four (4) transmitters and receivers, RF Switch and a variety of passive optical and RF components in order to provide a customized solution.

The ODU has a single internal power supply, which is sufficient for any combination of transmitters and receivers chosen. The ODU can also be supplied with a backup power supply. Prime power to the ODU is via a single weather tight connector from an AC power supply. A LED indicator showing operational status is provided on the ODU. Internal LNB power selection, monitoring and alarms are available via a dedicated M&C connector. The molded cast housing provides protection of the internal components from the ambient weather conditions.



General Characteristics	
Enclosure Capacity	Up to 4 Units
Enclosure Size	14" x 6" x 3"
ODU Color	Cream on 4003/4005 (Optional Olive) Olive on 4004 (Optional Cream)
RF Connector	F-type female, N-type
Optical Connector Qty	2 on 4003 4 on 4005/4004 (Tactical)
Optical Connector Type	FC-APC on 4003/4005 Tactical Hermaphroditic on 4004
Input Power	90 to 260 VAC, 50/60 Hz, 0.5 Amp (max);
Power Consumption	20 Watts
Operating Temp. Range	-30 to +55° C
Storage Temp. Range	40 to +85° C
Humidity	Humidity 95%, non-condensing
Dust and Water Protection	IP64 on 4003/4005 IP67 4004

Mechanical Drawing



4000 Series Ordering Information

4003	IP64 Outdoor enclosure for Sat-Light Gold and Sat-Light Classic cards, 2 FC Optical connectors, 4 cards capacity (required the use of WDM)
4004	IP67 Outdoor enclosure for Sat-Light Gold and Sat-Light Classic cards, Tactical hermaphroditic optical connector, 4 cards capacity
4005	IP64 Outdoor enclosure for Sat-Light Gold and Sat-Light Classic cards, 4 FC Optical connectors, 4 cards capacity.

4000 Series Options

- Dual PS – Dual PS assembly
- Cream color upgrade for 4004
- Olive color upgrade for 4003/4005
- Prewired LNB powering¹
- Internal Passive RF & Optical components¹.

¹ Please contact Foxcom sales for supported options and configuration code