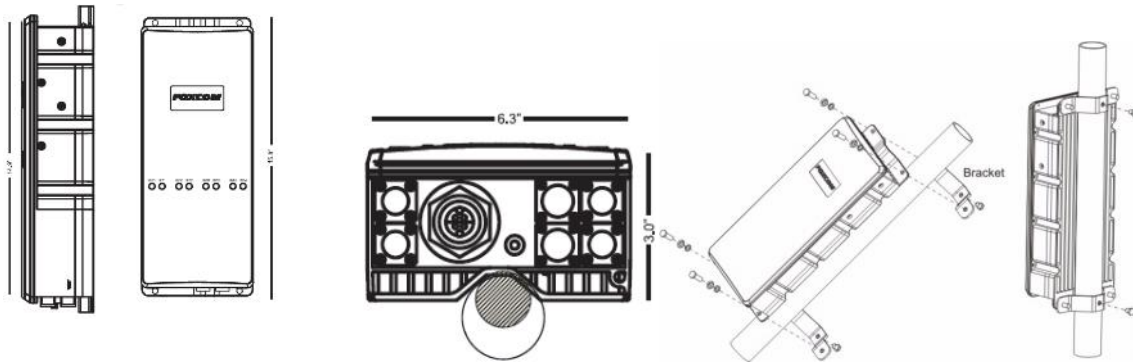




<b>General Characteristics</b>	
Enclosure Capacity	Up to 4 Units
Enclosure Size	14" x 6" x 3"
ODU Color	Cream on 4003/4005 (Optional Olive) Olive on 4004 (Optional Cream)
RF Connector	F-type female, N-type
Optical Connector Qty	2 on 4003 4 on 4005/4004 (Tactical)
Optical Connector Type	FC-APC on 4003/4005 Tactical Hermaphroditic on 4004
Input Power	90 to 260 VAC, 50/60 Hz, 0.5 Amp (max);
Power Consumption	20 Watts
Operating Temp. Range	-30 to +55° C
Storage Temp. Range	40 to +85° C
Humidity	Humidity 95%, non-condensing
Dust and Water Protection	IP64 on 4003/4005 IP67 4004

## Mechanical Drawing



## 4000 Series Ordering Information

<b>4003</b>	IP64 Outdoor enclosure for Sat-Light gold and Sat-Light Classic cards, 2 FC Optical connectors, 4 cards capacity (required the use of WDM)
<b>4004</b>	IP67 Outdoor enclosure for Sat-Light gold and Sat-Light Classic cards, Tactical hermaphroditic optical connector, 4 cards capacity
<b>4005</b>	IP64 Outdoor enclosure for Sat-Light gold and Sat-Light Classic cards, 4 FC Optical connectors, 4 cards capacity.

## 4000 Series Options

- 2PS- Dual PS – Dual PS assembly
- Cream- Cream color upgrade for 4004
- Olive color upgrade for 4003/4005
- F18LNB- Prewired 18V LNB powering<sup>1</sup>

<sup>1</sup> Please contact Foxcom sales for supported options and configuration code